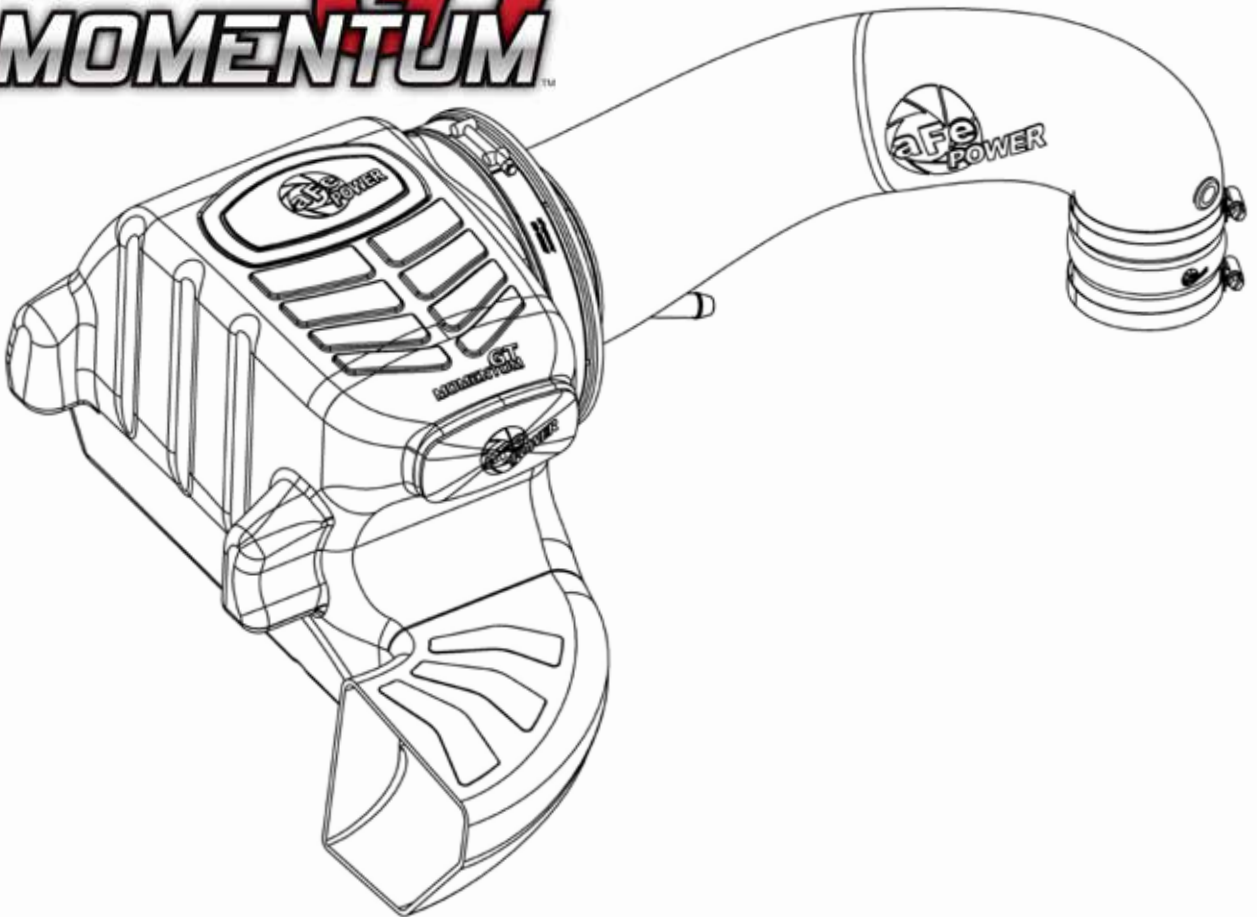




**GT**  
**MOMENTUM™**



## advanced FLOW engineering

Cold Air Intake System

Instruction Manual P/N: 51-72102 / 54-72102

Make: Dodge/RAM

Model: 1500

Year: 2009-2018

Engine: V8-5.7L HEMI

Make: RAM

Model: 1500 Classic

Year: 2019-2023

Engine: V8-5.7L HEMI



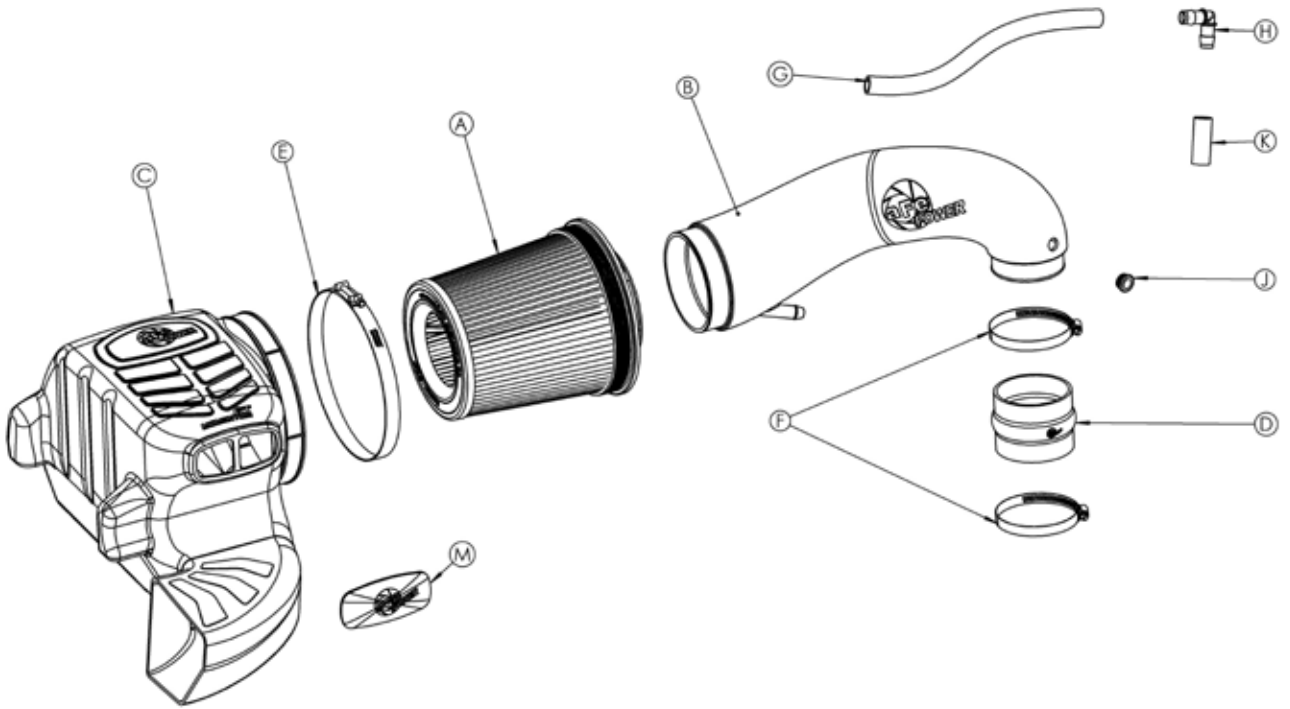
- Please read the entire instruction manual before proceeding.
- Ensure all components listed are present.
- If you are missing any of the components, call customer support at 951-493-7185.
- Ensure you have all necessary tools before proceeding.
- Do not attempt to work on your vehicle when the engine is hot.

## Retain factory parts for future use.

Label	Qty.	Description	Part Number
A1	1	Pro DRY S Air Filter	21-91072 (Gray Media)
A2	1	Pro 5R Air Filter	24-91072 (Blue Media)
B	1	Tube	05-72102B1
C	1	Housing	05-72102B2
D	1	Coupling Silicone Hump	05-01264
E	1	Clamp, T-bolt	03-50267
F	2	Clamp, #056	03-50009
G	1	Hose, Fuel: 5/8"ID (2 inches)	05-00069
H	1	Fitting, Elbow: 5/8"	03-50165
J	1	Grommet	03-50033
K	1	Hose, Fuel: 5/8"ID (24 inches)	05-00069
M	1	Plug	05-01429

Installation will require the following tools:  
1/4" ratchet, 10mm deep socket, 8mm or 5/16" driver.

Warranty Information available at: <https://afepower.com/contact#warranty>





REMOVAL

Figure A

Refer to Figure A for steps 1-3

Step 1: Disconnect temperature sensor harness ①

Step 2: Remove and save temperature sensor using a ¼ turn counter-clockwise twist. Do not damage.

Step 3: Loosen the inlet tube clamps and remove tube.



Figure B

Refer to Figure B for steps 4-6

Step 4: Remove Engine cover.

Step 5: Remove vent tube from air box and engine vent ②

Step 6: Lift air box up and rotate towards the front for the scoop to clear the air condition lines ③.



Figure C

Refer to Figure C for step 7

Step 7: Transfer 3 of the rubber mounting grommets from the OE air box to the aFe filter housing as shown (4).



Figure D

Refer to Figure D for steps 8-10

Step 8: Start housing installation as shown in the left picture.

Step 9: Lower the aFe filter housing into position with the scoop pointed downward and rotate to clear the air condition lines.

Step 10: Slip over the mounting pegs and firmly press down to seat housing.



Figure E

Refer to Figure E for steps 11-13

Step 11: Install large T-bolt clamp on aFe Momentum housing as shown (5).

Step 12: Install air filter into housing as shown and tighten large T-bolt clamp.

Step 13: Slide smaller T-bolt clamp over filter flange as shown but do not tighten at this time (6).





Figure G

Refer to Figure G for step 14

Step 14: Install the provided sensor grommet into the aFe inlet tube and carefully push in the sensor ⑦.

Note: It may help to apply a small amount of lubricant to the inside of the rubber grommet.



Figure H

Refer to Figure H for [step 15](#)

Step 15: Install the provided 5/8 x 2 1/4 hose (8), 5/8 elbow (9) and 5/8 x 24" hose (10) onto the engine vent fitting.

Note: Use a lubricant on both ends of elbow.



Figure I

Refer to Figure I for steps 16-17

Step 16: Reinstall engine cover.

Step 17: Place hump coupler and (2) #056 clamps onto throttle body, do not tighten at this time (11).



Figure J

Refer to Figure J for steps 19-21

Step 19: Install aFe intake tube in filter first then insert smaller tube end into 3-1/2" coupling.

Step 20: Connect vent hose by reaching under engine cover and pushing onto tube vent (12).

Step 21: Tighten all clamps.

Note: Use a lubricant on outside of tube vent.



Figure K

Refer to Figure K for step 22

Step 22: Reconnect temperature sensor harness (13).

NOTE: Place the included CARB EO sticker on or near the device on a smooth, clean surface.  
EO identification label is required to pass the smog inspection.



Page left blank intentionally

Page left blank intentionally



**advanced FLOW engineering, inc.**

Corona, CA 92879

<https://afepower.com/contact>