

INSTALLATION INSTRUCTIONS FOR 140003 & 140005 ACCEL SUPER COILS

CAUTION: Due to the extremely high kilovolt output of this coil, please be sure to keep spark plug wires grease and dirt free in order to avoid spark leakage. Should misfire develop, replace your old spark plug wires with a fresh set of ACCEL silicone on silicone 8mm spark plug wires.

IMPORTANT: If your spark plug wire terminals are **NOT** the locking type you **must** remove and replace with the locking terminals enclosed. See instructions on reverse side.

1. Remove negative battery cable for protection of electronics during installation of your new ACCEL coil.
2. Remove from distributor:
 - A. All harness connectors - module, B+, tach.
 - B. Distributor Boot retaining ring (if used). Note: Leave spark plug wires connected to distributor cap.
 - C. Coil cover, coil, rubber washer, spring and carbon brush. See Figure A.
3. Install the new carbon brush and spring. Coat the new rubber washer liberally on both sides with lubricant supplied and place in top of distributor cap. (Figure A)

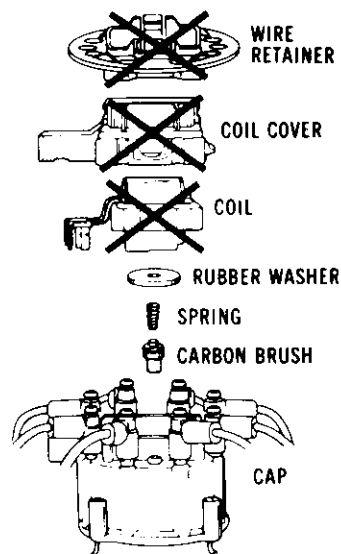


FIGURE A

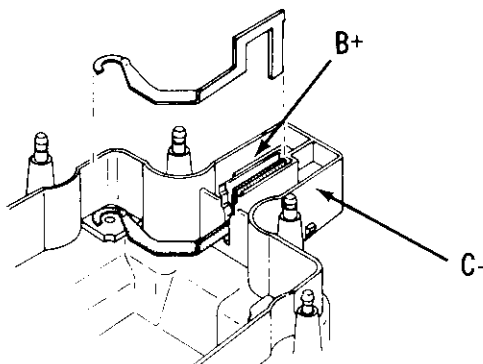


FIGURE B

4. Install ground clip supplied as shown. See Figure B.
5. Install Super Coil by inserting wire terminals in proper slots first. Yellow (140003) or White (140005) wire to C-. Red wire to B+ (Figure B).
6. Tuck the wires toward the coil and seat coil to distributor cap. (See Figure C)
7. Secure with four (4) bolts supplied. Carefully tighten self-tapping through bolts in a diagonal pattern. (See Figure C)
8. Reconnect harness connector and battery cable.

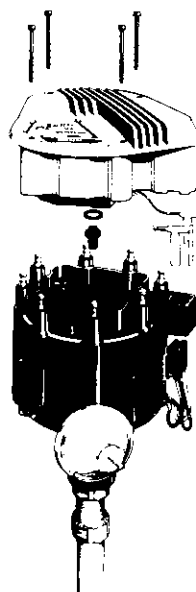
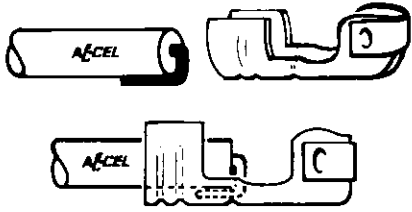
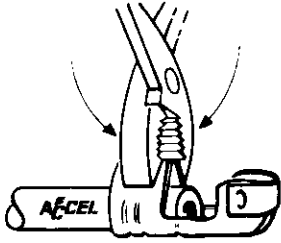
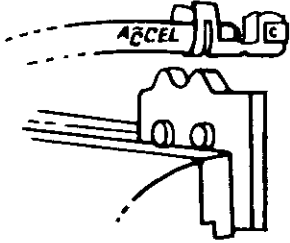
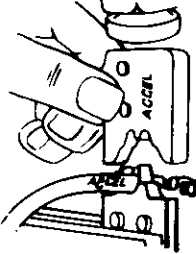
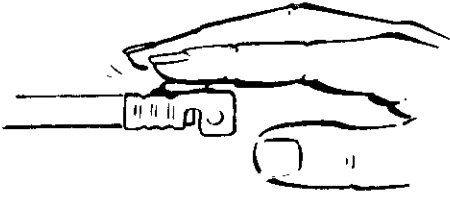
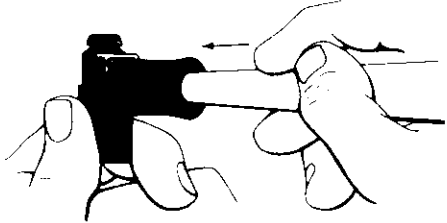


FIGURE C

(Over Please)

INSTRUCTIONS FOR REPLACING TERMINALS

1. Pull stock boot off wire exposing the non-locking terminal. Remove non-locking terminal. Attach our locking terminal as shown.

 <p>2. Bend conductor over wire and insert terminal.</p>	 <p>3. Bend terminal tabs over with pliers.</p>
 <p>4. Place bottom half of crimping tool in vise.</p>	 <p>5. Place wire in tool as shown with upper half of crimping tool over tabs. Strike with hammer until a firm crimp is achieved.</p>
 <p>6. Lightly lubricate the terminal with the dielectric grease included.</p>	 <p>7. Slide the wire into the HEI boot.</p>

8. Small amounts of this grease may also be applied inside of boots on both spark plug and distributor cap ends to prevent sticking of boots onto plugs or cap and to improve moisture proofing of connection.
9. Be sure you have made a good connection in the distributor cap and coil. The new terminals should "snap" onto the cap. You should recheck these connections periodically. If connector in distributor cap or coil is gray-green, or appears corroded you may have a poor connection.